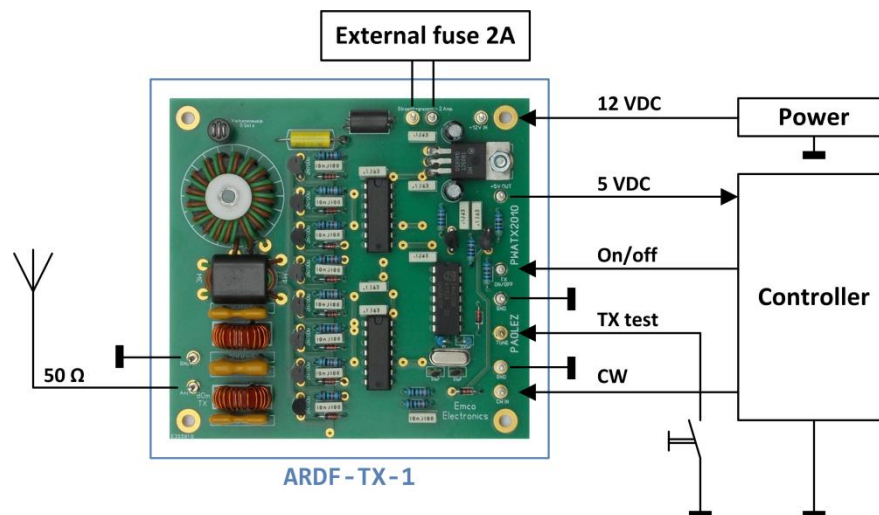


Manual EMCO Universal 80 meter ARDF transmitter

Specifications

Output power:	37 dBm / 5 W
Output impedance:	50 Ohm unbalanced
Frequency:	3.5795 MHz
Harmonic suppression:	More than 48 dB
Power supply:	12 VDC (8 - 13.8 VDC)
Current consumption idle:	3.4 mA @ 12 VDC
Current consumption standby:	6.3 mA @ 12 VDC
Current consumption TX:	580 mA @ 12 VDC
CW in:	5 V TTL
5 VDC-output:	Max. 100 mA
PCB width x height:	90 x 95 mm
Mounting:	4 x 3 mm holes

Connection diagram



Connections and functionality

PCB code	Functionality
Ant - GND	50 Ohm unbalanced antenna connection. This antenna should not be short/circuit during operation.
Stroombegrenzer	An (external) fuse can be connected between these two connections. If no use is used, these two connections must be connected to each other.
+12V IN	Power input. Stabilized 12 VDC.
+5V OUT	5 VDC power output for control logic etc..
TX ON/OFF	Switching this connection to ground switches the transmitter into standby mode. When this connecting is left open, the CW IN input has no effect. In standby mode the crystal oscillator is active, but no output power is generated.
CW IN	Applying a logic 5 V TTL to this connection switches the transmitter ON (only in standby mode).
Tune	When switching this TX test connection to ground, both TX ON and CW will be activated (and overrules both TX ON/OFF and CW IN), and give the opportunity to tune the antenna.